

Installation and Maintenance for FlexValue™ Cleanroom Ceiling Model

WARNING!

These installation instructions are for qualified and experienced technicians in the H.V.A.C. and Fire Protection field only. Failure to follow these specific instructions may cause personal injury. Installation or maintenance technicians must read the entire manual prior to attempting installation or maintenance of product.

Retain these instructions for future use.

Tools Required

Safety Glasses

Vinyl Gloves

Proper Cleanroom Attire

Allen Wrench/Nut Driver

Pipe Wrench with SS Jaws

CAUTION!

Installation and relocation is to be done by licensed Fire Protection technicians only. Safety glasses and proper cleanroom attire must be worn by installing technician during FLEXHEAD installation.

CAUTION!

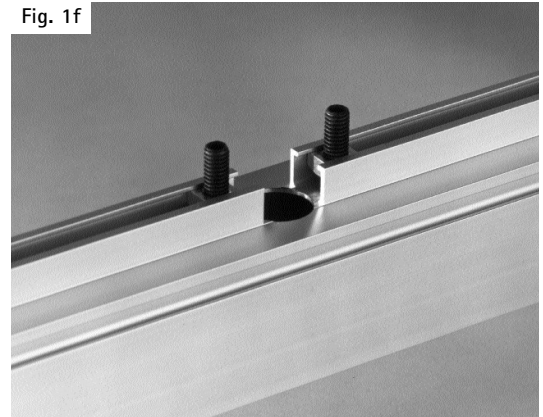
During the installation of Flexhead product, fire protection system must be inactive. Do not attempt FLEXHEAD installation when system is operational. Consult NFPA Guidelines for details.

INSTALLATION OF CEILING SYSTEM

1 FlexHead Location

Refer to Factory Mutual loss prevention data sheets and NFPA guidelines for guidance and determine desirable location for FLEXHEAD unit in ceiling grid system. Once desired location is determined, locate nearest pre drilled sprinkler drop assembly port in ceiling grid (Fig. 1f).

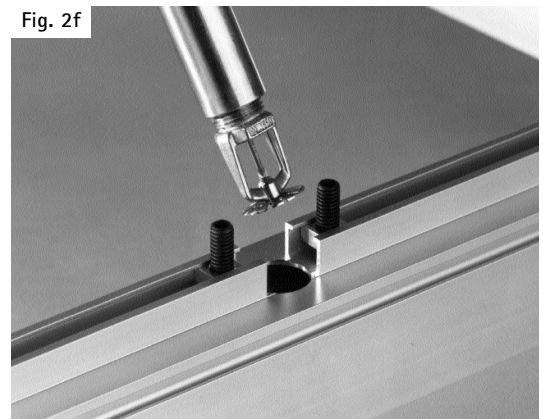
Fig. 1f



2 Unpacking and Preparing Unit for Installation

Remove Flexhead unit from box and remove packing material being careful not to damage sprinkler head. Inspect assembly making sure it was not damaged during shipment. Remove FlexHead unit from polybags.

Fig. 2f



3 Connect FlexHead to Sprinkler System

Connect one (1) inch stainless steel flexible hose of FLEXHEAD sprinkler submain of fire protection system in accordance to NFPA standards, state and local codes.

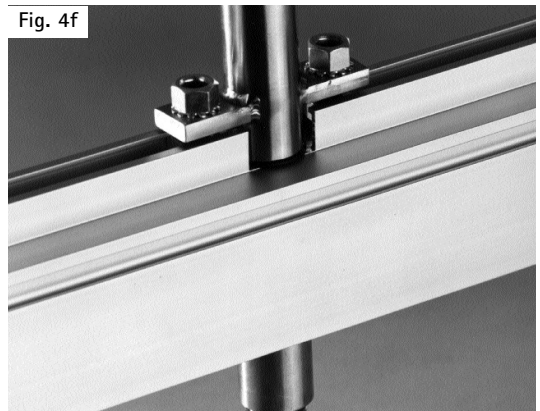
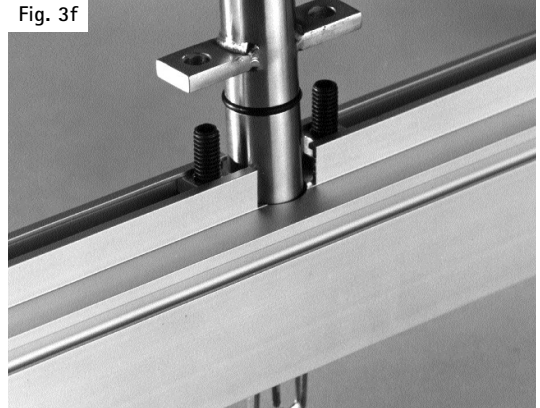
4 Connecting FlexHead to Cleanroom Ceiling Grid

Insert the sprinkler head through the top side of the desired pre drilled sprinkler port being careful not to bump or damage sprinkler head during this process. This is the same port located in Step 1.

5 Align holes in FlexHead attachment tee bracket with bolt holes on either side of sprinkler port in grid (Fig. 3f).

6 Insert mounting bolts into FlexHead attachment tee holes and tighten down supplied nuts with allen wrench until secure (Fig. 4f).

7 Snap the perforated face plate into place on the grid face and install sprinkler escutcheon (optional). The Flexhead Sprinkler System installation is complete.



CAUTION!

Installation and relocation is to be done by licensed Fire Protection technicians only. Safety glasses and proper cleanroom attire must be worn by installing technician during FLEXHEAD installation. Fire protection system **MUST BE** inactive during relocation.

RELOCATION OF CEILING SYSTEM

- 1** Refer to Factory Mutual loss prevention data sheets and NFPA guidelines for guidance and determine desirable location for the relocated FLEXHEAD unit in ceiling grid system. Once desired location is determined, locate nearest pre drilled sprinkler drop assembly port in ceiling grid.
- 2** Carefully remove sprinkler escutcheon and grid systems perforated face plate from the existing sprinkler head assembly, being careful not to damage sprinkler head.
- 3** Loosen and remove two mounting bolts with allen wrench and retain for future use (Fig. 5f).
- 4** Remove the sprinkler head assembly from above by pulling it through the top side of the ceiling grid being extremely careful not to bump or damage the sprinkler head during this process (Fig. 6f).
- 5** Relocate Flexhead Sprinkler Assembly to desired new location determined in Step 1. Be very careful not to bump or drop Flexhead Sprinkler Assembly while relocating! Insert the sprinkler head through the top side of the nearest pre-drilled sprinkler drop assembly port in ceiling grid (in new location).

Fig. 5f

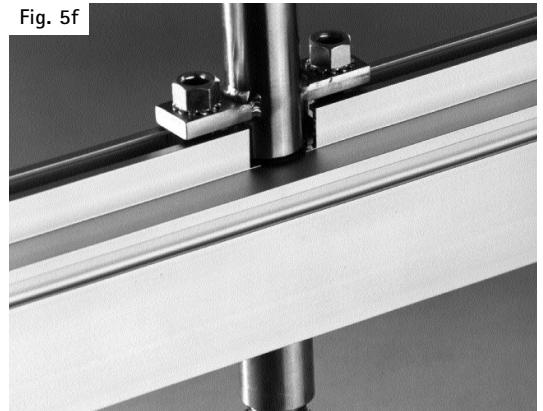


Fig. 6f



6 Align holes in FlexHead attachment tee bracket with bolt holes on either side of sprinkler port in grid (Fig. 7f).

7 Insert mounting bolts into FlexHead attachment tee holes and tighten down supplied nuts with allen wrench until secure (Fig. 8f).

8 Visually inspect sprinkler head to ensure that it has not been damaged during installation. Install sprinkler escutcheon on sprinkler head.

9 Now that the FlexHead Sprinkler System is securely in place, snap the perforated face plate and escutcheon into place. The FlexHead Sprinkler System relocation is complete.

